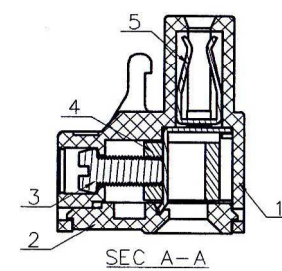
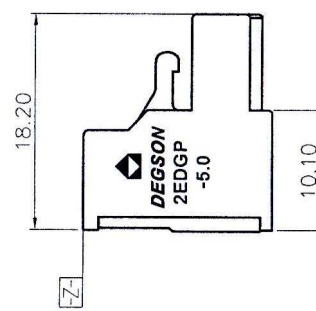
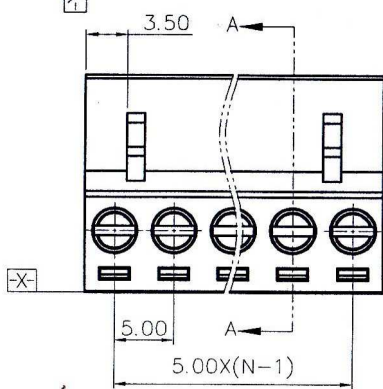
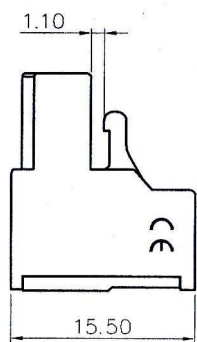
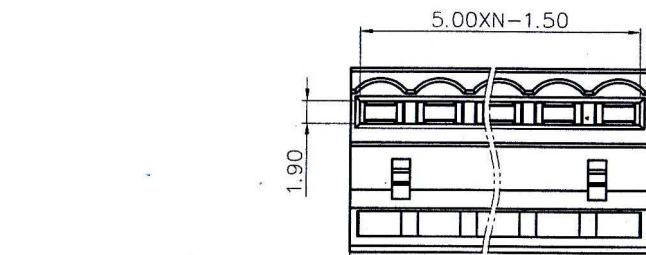


REVISION RECORD

| REV | ECN | DESCRIPTION | DRFT | DATE |
|-----|-----|-------------|------|------|
| | | | | |



- NOTES:
- 1.DIMENSION SHALL BE INTERPRETED PER ASME Y14.5-2009.
 - 2.PITCH: 5.0MM ,POLES: 2-16P
 - 3.RATED VOLTAGE/CURRENT: UL1059 300V/15A
IEC 320V/17.5A
 - 4.OPERATION TEMPERATURES: -40℃~+105℃
 - 5.RATED IMPULSE VOLTAGE: 4KV
 - 6.INSULATION RESISTANCE: 5000MΩ/DC1000V
 - 7.WIRE RANGE: 28~12AWG,2.5MM²
 - 8.MAX.TORQUE VALUE: M2.5,4.08kgf.cm
 - 9.UNDIMENSIONED TOLERANCES:

仅供参考图
 签字: [Signature]
 日期: 3/26/15

| PITCH RANGE IN MM | | | NOMINAL DIMENSION RANGE IN MM | | | | | |
|-------------------|-------|-------|-------------------------------|-------|-------|----------|-------|---------|
| TO | OVER | OVER | TO | OVER | OVER | OVER | | |
| 6 | 10 | 10 | 30 | 60 | 100 | 150 | ∩ | |
| 10 | 24 | 30 | 60 | 100 | 150 | OVER 150 | ◇ | |
| ±0.10 | ±0.15 | ±0.25 | ±0.20 | ±0.30 | ±0.50 | ±0.70 | ±1.00 | 0.05/10 |

| ITEM | NAME OF PART | NO. OF PART | Q'TY | MATERIAL | NOTES |
|------|------------------------|---------------|------|-----------------|---------------------|
| 5 | 2EDGP-CLAMP | 1046B00020(H) | XX | Phosphor bronze | Sn Plated |
| 4 | DG128 CAGE | X000000020(H) | XX | Brass | Ni Plated |
| 3 | 2EDG "-" M2.5 SCREW | S000001370(H) | XX | Steel | Cr ³⁺ Zn |
| 2 | 2EDGP-5.0-100A COVER | 1046C0YXXB(H) | 1 | PA66 | UL94V-0 |
| 1 | 2EDGP-5.0-100A HOUSING | 1046A0YXXD(H) | 1 | PA66 | UL94V-0 |

| MM (INCH) | | MATERIAL: | DEGSON 宁波高正电子有限公司 | |
|----------------------------|---------|---------------------|------------------------------------|-----------|
| TOLERANCES EXCEPT AS NOTED | | FINISH: | DEGSON DEGSON ELECTRONICS CO., LTD | |
| .X ± | .X' ± | PART NO.: | NAME: 2EDGP-5.0-XXP-1Y-100A(H) | |
| .XX ± | .XX' ± | APPD: Aaron 3/26/15 | TITLE: ASSEMBLY DRAWING | |
| .XXX ± | .XXX' ± | CHKD: | DRAWING NO.: 2EDGP-5.0-E10 | REV TO-1 |
| ANGLES ± 1° | | DRFT: XXY 11/14/14" | DO NOT SCALE DRAWING | SCALE 1:1 |
| THIRD ANGLE PROJECTION | | | SHEET 1/1 | |